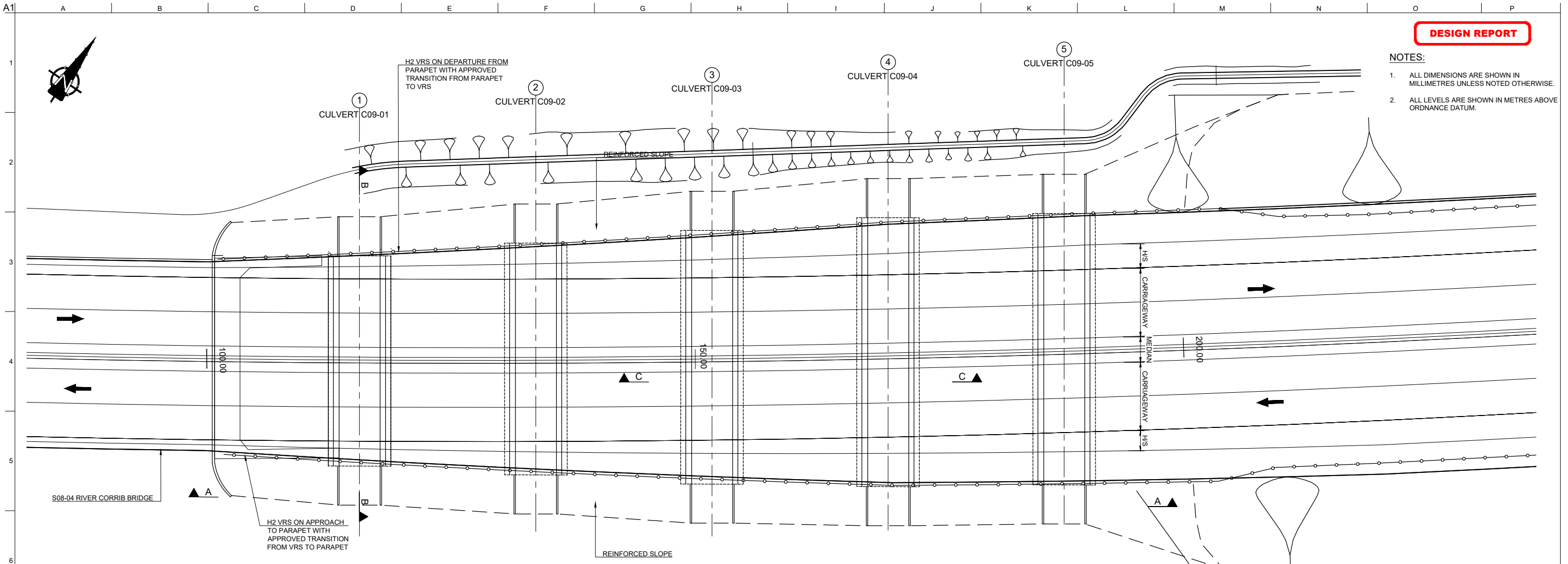
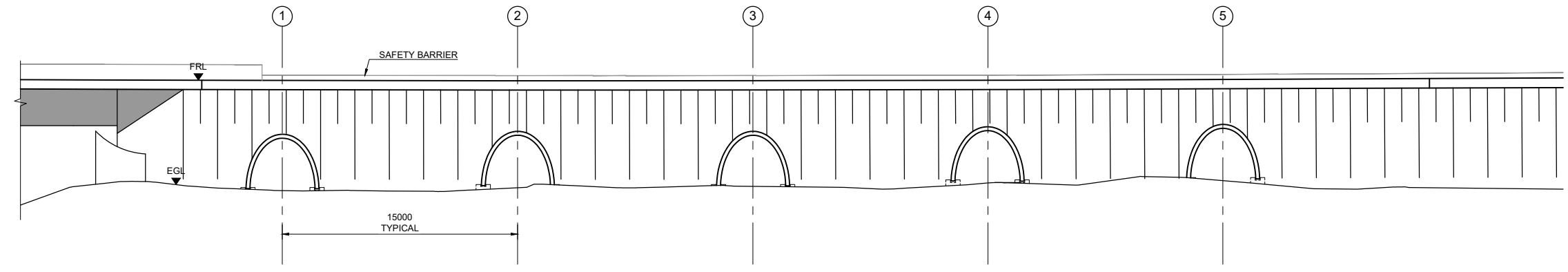


- NOTES:**
1. ALL DIMENSIONS ARE SHOWN IN MILLIMETRES UNLESS NOTED OTHERWISE.
  2. ALL LEVELS ARE SHOWN IN METRES ABOVE ORDNANCE DATUM.



**PLAN ON CULVERTS**  
SCALE: 1:200



**ELEVATION A-A**  
SCALE: 1:200

San áireamh tá sonraíocht Shuirbhíreacha Ordánais Éireann arna áitirgeadh fós Cheadúnas OSI Uimh. 2010/18CCMA/Comhairle Contae na Gaillimhe. Sírálainn áitirgeadh neamhdaraithe cóipeacht Shuirbhíreacha Ordánais Éireann agus Rialtas na hÉireann. © Suirbhíreacha Ordánais Éireann, 2010.

© Suirbhíreacha Ordánais Éireann. Gach ceart ar chosaint. Uimhir cheadúnais 2010/18CCMA/Comhairle Contae na Gaillimhe.

Includes Ordnance Survey Ireland data reproduced under OSI Licence number 2010/18CCMA/Galway County Council. Unauthorised reproduction infringes Ordnance Survey Ireland and Government of Ireland copyrights. © Ordnance Survey Ireland, 2010.

© Ordnance Survey Ireland. All rights reserved. Licence number 2010/18CCMA/Galway County Council.

**Clients**

Comhairle Chontae na Gaillimhe  
Galway County Council

Galway City Transport Project

Air Roinn Iompair Turasóireachta agus Spóirt  
Department Transport, Tourism and Sport

TII  
Transport Infrastructure Ireland

**Consultant**

**ARUP**

Corporate House  
City East Business Park  
Ballybrit, Galway, Ireland.

Tel +353 (0)91 460675  
www.N6GalwayCity.ie  
www.arup.ie

**Job Title**

N6 Galway City Ring Road

**Scale**

AS SHOWN @ A1

**Date:**

February 2018

Issue	Date	By	Chkd	Appd
I3	22/02/2018	LM	PM	MS
I2	17/10/2017	LM	PM	MS
I1	1/06/2017	LM	PM	MS

**Drawing Title**

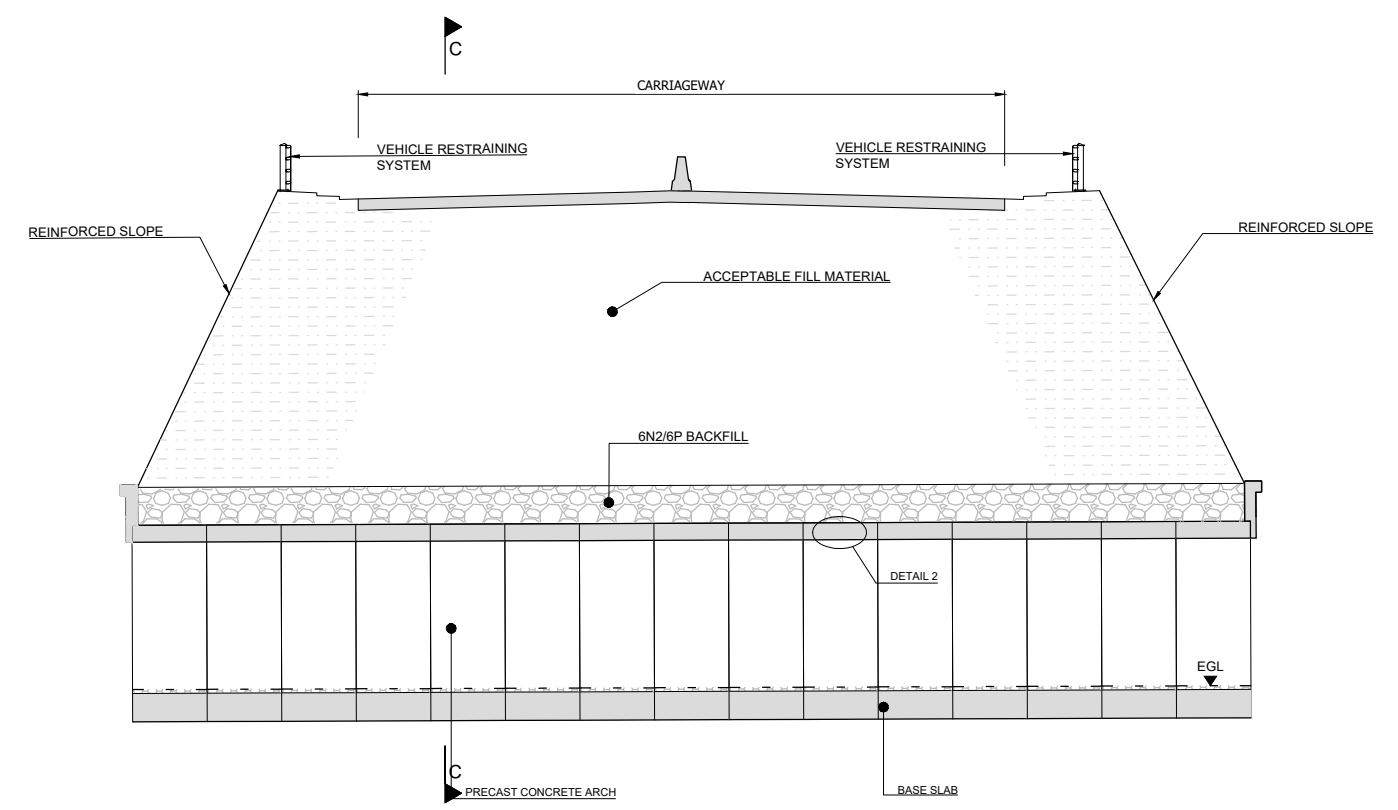
Culverts and Underpasses  
Structure C09-01 to 05  
Sheet 1

**Drawing Status**

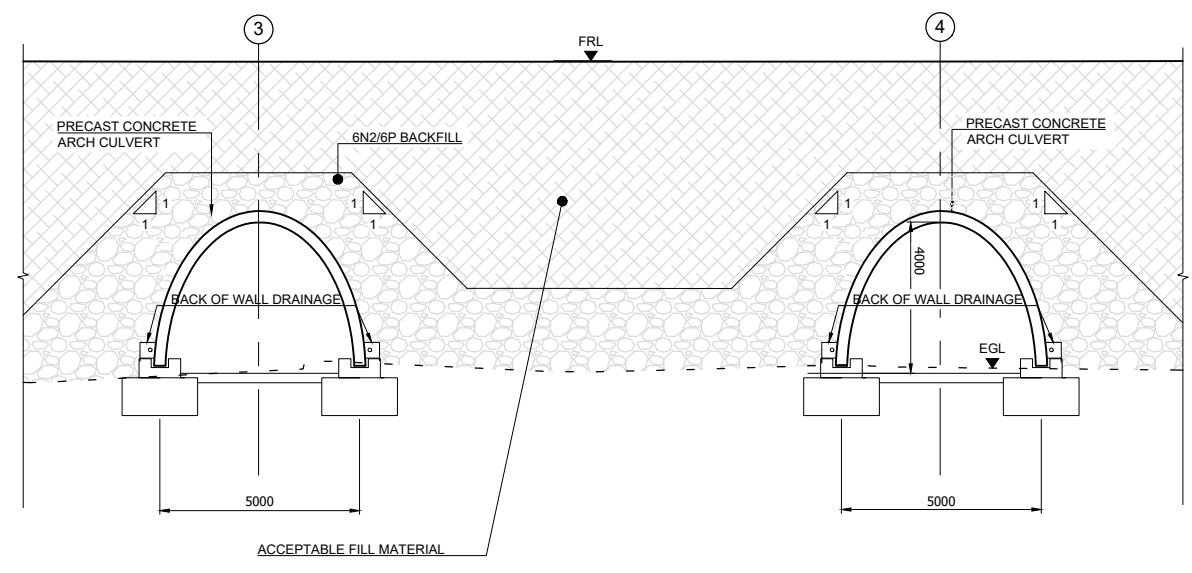
**For Information**

Job No: 233985  
Drawing No: GCOB-D-ST-C09-1 to 5-001  
Issue: 13

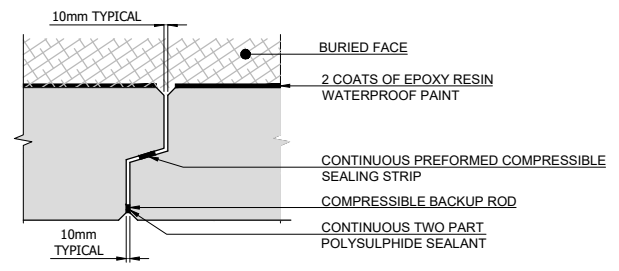
- NOTES:**
1. ALL DIMENSIONS ARE SHOWN IN MILLIMETERS UNLESS NOTED OTHERWISE.
  2. ALL LEVELS ARE SHOWN IN METERS ABOVE ADVANCE DATUM.



**SECTION B-B**  
SCALE: 1:100



**TYPICAL SECTION C-C**  
SCALE: 1:100



**DETAIL 2**  
SCALE: 1:10

**Clients**

 **Comhairle Chontae na Gaillimhe**  
Galway County Council

 **Galway City Transport Project**

 **An Roinn Iompair Turasóireachta agus Spóirt**  
Department Transport, Tourism and Sport

 **TIIP**  
Transport Infrastructure Ireland

**Consultant**

**ARUP**

Corporate House  
City East Business Park  
Ballybrit, Galway, Ireland.

Tel +353 (0)91 460675  
www.N6GalwayCity.ie  
www.arup.ie

**Job Title**  
N6 Galway City Ring Road

**Scale**  
AS SHOWN @ A1

**Date:**  
February 2018

Issue	Date	By	Chkd	Appd
I3	22/02/2018	LM	PM	MS
I2	17/10/2017	LM	PM	MS
I1	01/06/2017	LM	PM	MS

**Drawing Title**  
Culverts and Underpasses  
Structure C09-01 to 05  
Sheet 2

**Drawing Status**

**For Information**

Job No	Drawing No	Issue
<b>233985</b>	<b>GCOB-1700-D-C09-1 to 5-002</b>	<b>13</b>